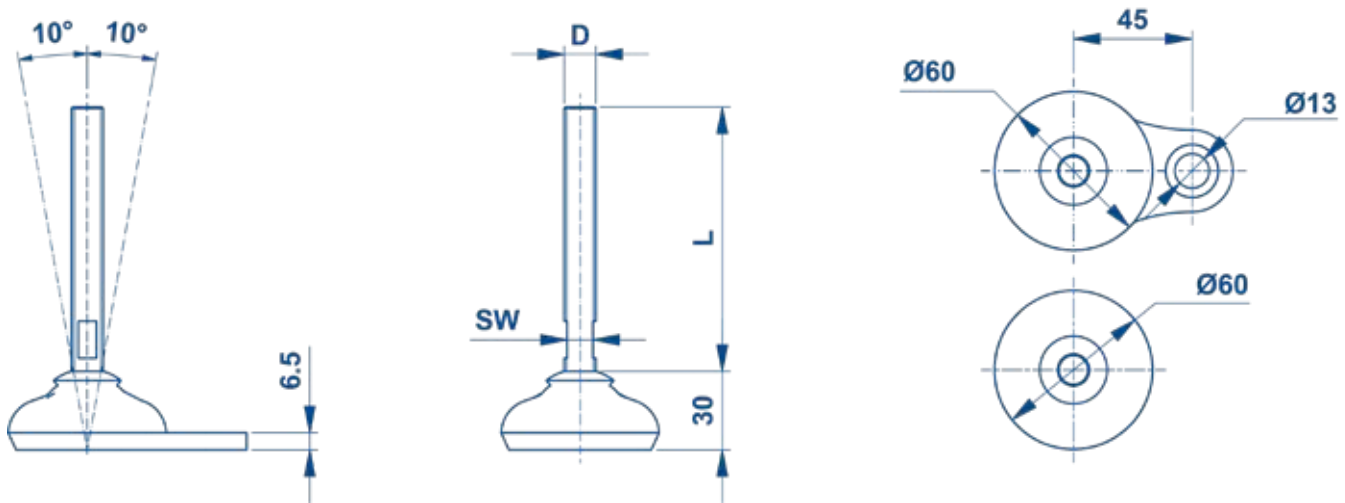


BJ levelling feet - 60 mm (BJLF60/BJLF61)



Item no. without fixing plate	Item no. with fixing plate	Spindle Length (L) [mm]	Dimension (D) [mm]	Spindle Width (SW) [mm]	Approx. max. load [N]	Weight without fixing plate [kg]	Weight with fixing plate [kg]
BJFL-60-M12-120	BJFL-61-M12-120	120	M12	10	7,3	0.25	0.28
BJFL-60-M12-150	BJFL-61-M12-150	150	M12	10	7,3	0.27	0.30
BJFL-60-M16-150	BJFL-61-M16-150	150	M16	13	7,3	0.36	0.39
BJFL-60-M16-200	BJFL-61-M16-200	200	M16	13	7,3	0.42	0.46